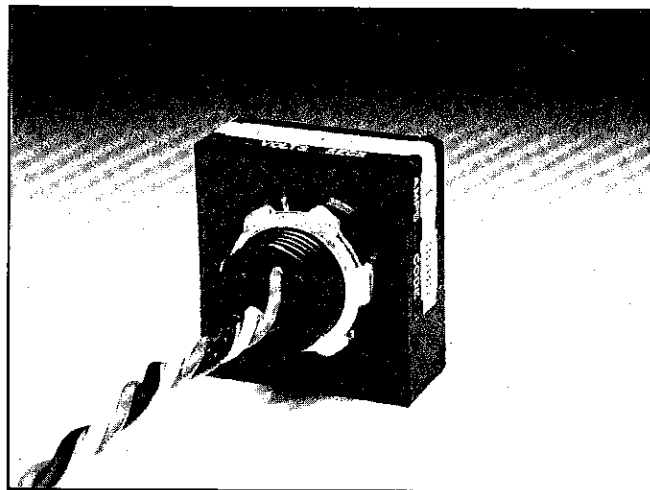
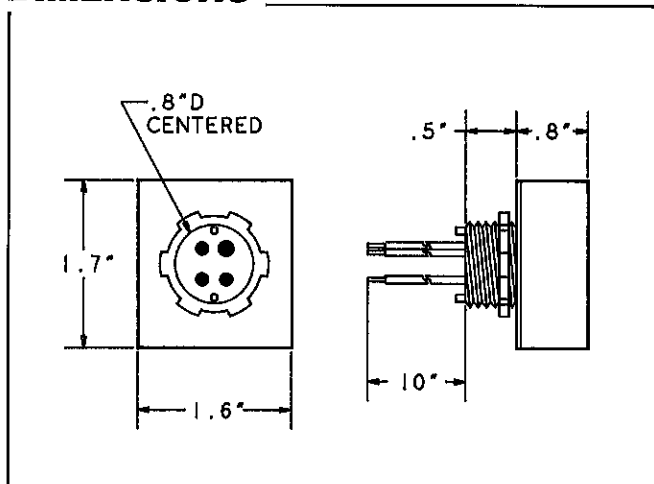


B SERIES TIMERS

BES: DELAY ON BREAK

DIMENSIONS



FEATURES

- Factory fixed or remote delays from 0.6 to 600 seconds
- 100% encapsulated against humidity
- Built-in transient protection
- Fast reset and initiate time
- Repeat accuracy $\pm 2\%$
- Conduit mounting
- All solid state

The BES provides the delay on break timing function with an efficient standard conduit mounting configuration. For easy mounting, simply remove the blank in the standard panel and secure the timer with the supplied locknut. Using the BES timer satisfies your time delay requirements with an economical labor-saving package.

SPECIFICATIONS

ELECTRICAL SPECIFICATIONS

TIME DELAY

- Type: Factory fixed or external adjustment
- Range: 0.6 to 600 seconds
- Repeat Accuracy: $\pm 2\%$ under fixed conditions
- Fixed Time Tolerance: $\pm 5\%$, $\pm 10\%$, $\pm 20\%$
- Time Delay vs Temperature and Voltage: $\pm 10\%$ maximum over the specified range of input voltage and temperature

INITIATE AND RESET TIME

- 100 milliseconds or 1% of the maximum delay range, whichever is greater (accomplished by closure of initiate contact)

INPUT

- Nominal Voltage: 24 to 230 volts
- Tolerance: $\pm 15\%$ of nominal
- Frequency: 50 or 60 Hz
- Power Consumption: 2.0 watts maximum

OUTPUT

- Type: Solid state

- Form: SPST (normally open, non-isolated)
- Rating: 1 amp RMS steady state maximum, 20 milliamps minimum
- Voltage Drop (typical): 2.5 volts at 1 amp
- Leakage Current: 5 milliamps maximum
- Life: 100,000,000 operations

PROTECTION

- Transients: $\pm 1,400$ volts for 100 microseconds

MECHANICAL SPECIFICATIONS

- Mounting: Units come with standard 1/2" conduit fitting and locknut
- Termination: three #18 AWG and #20 AWG wires
- Weight: 8 ounces (225 grams)

ENVIRONMENTAL SPECIFICATIONS

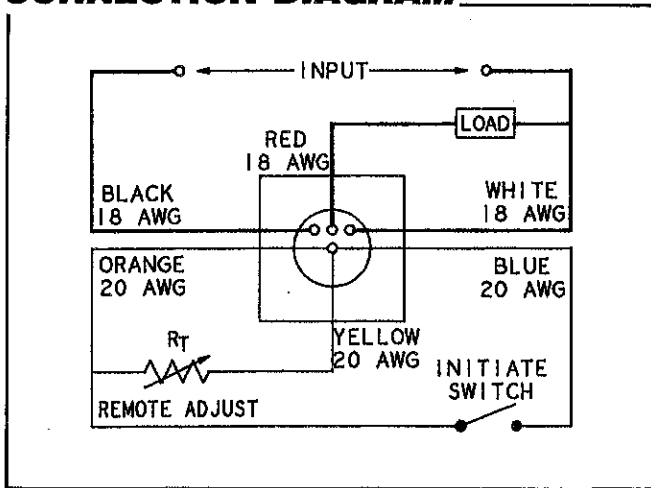
- Operating Temperature: -20°C to $+55^{\circ}\text{C}$
- Storage Temperature: -30°C to $+65^{\circ}\text{C}$



B SERIES TYPE: BES

DELAY ON BREAK

CONNECTION DIAGRAM



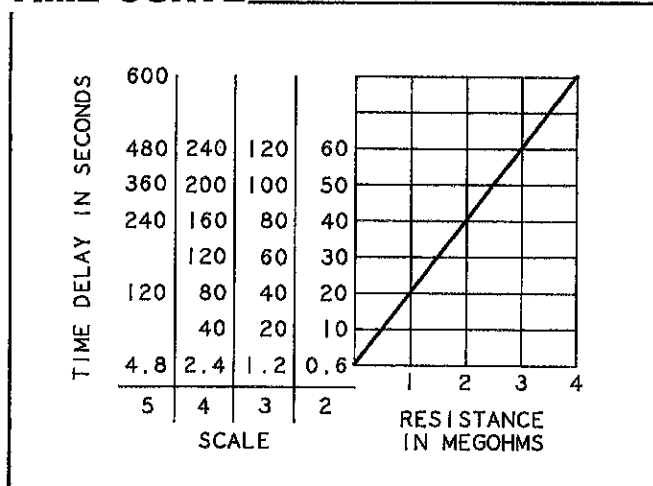
MODE OF OPERATION

Input power must be applied to BES prior to operation. When the normally open/isolated initiate contact closes, the load immediately energizes. The load remains energized as long as the initiate contact is closed. The time delay period begins when the initiate contact opens. When the delay period is complete, the load de-energizes and BES is ready for another operation.

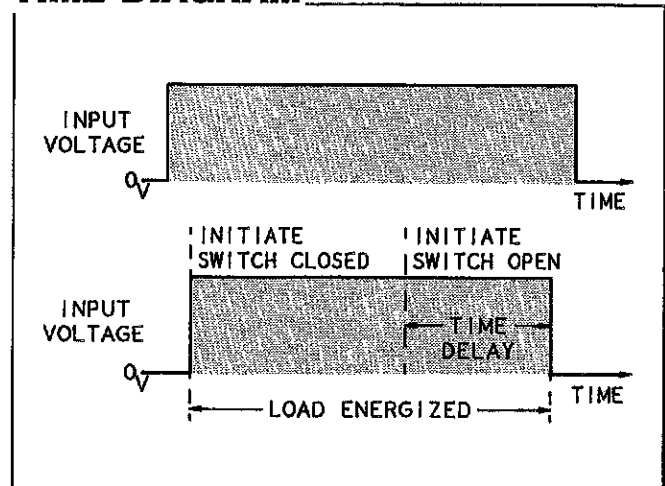
If the initiate contact re-closes during the time delay period, the time delay resets to zero and will start again when the initiate contact opens. The load remains energized.

Note: Removal of input power during the time delay period does not reset the timing function, but de-energizes the load. The load immediately energizes for the rest of the time delay period if the power is restored during the delay period.

TIME CURVE



TIME DIAGRAM



ORDERING INFORMATION:

CONSULT THE FACTORY FOR VARIATIONS NOT LISTED

TYPE = BES
Sample Part Number

